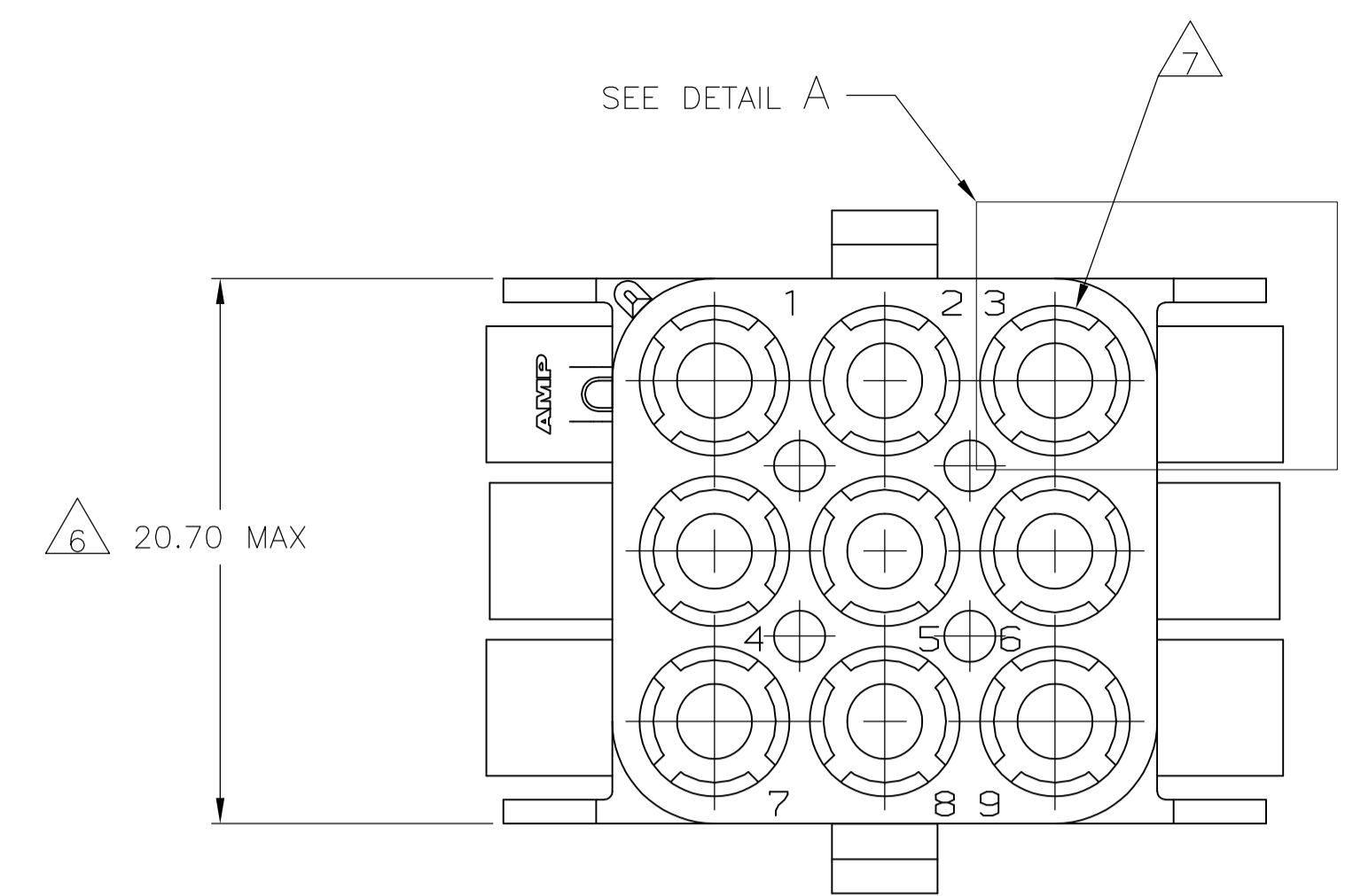
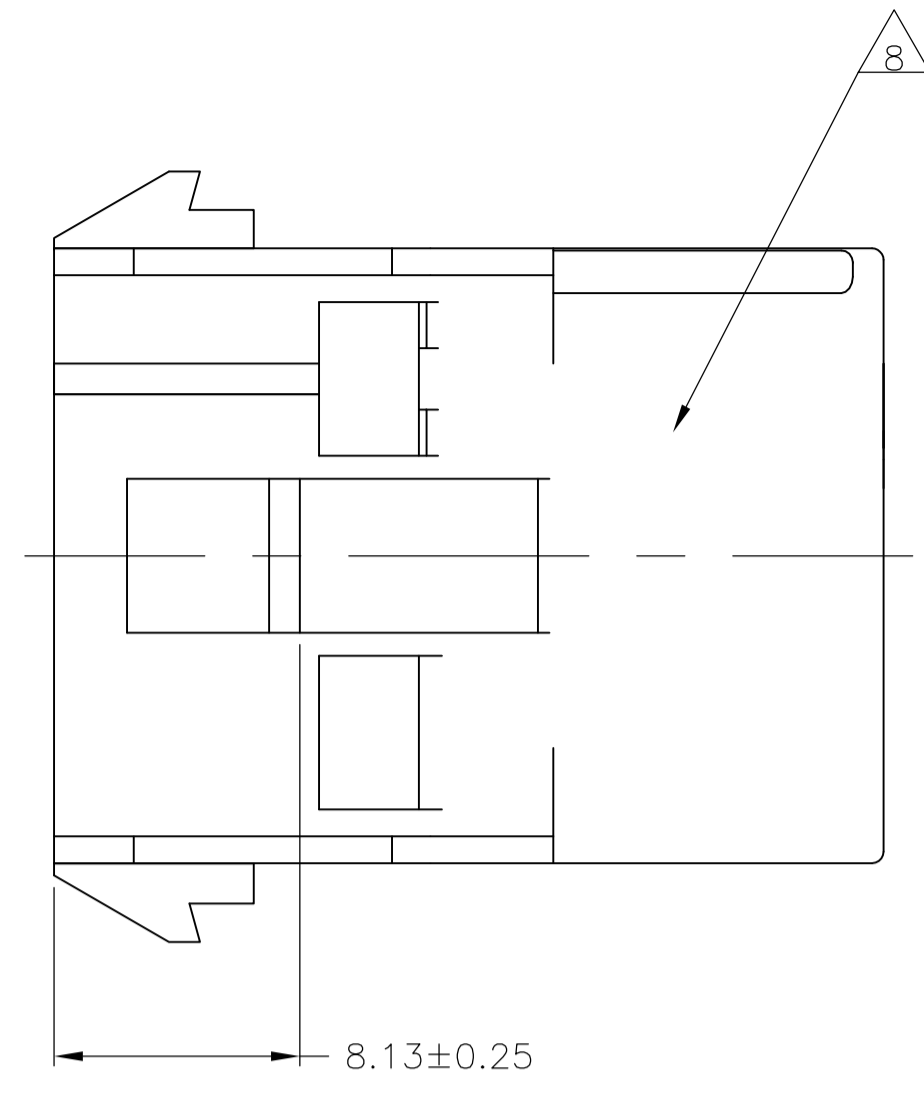
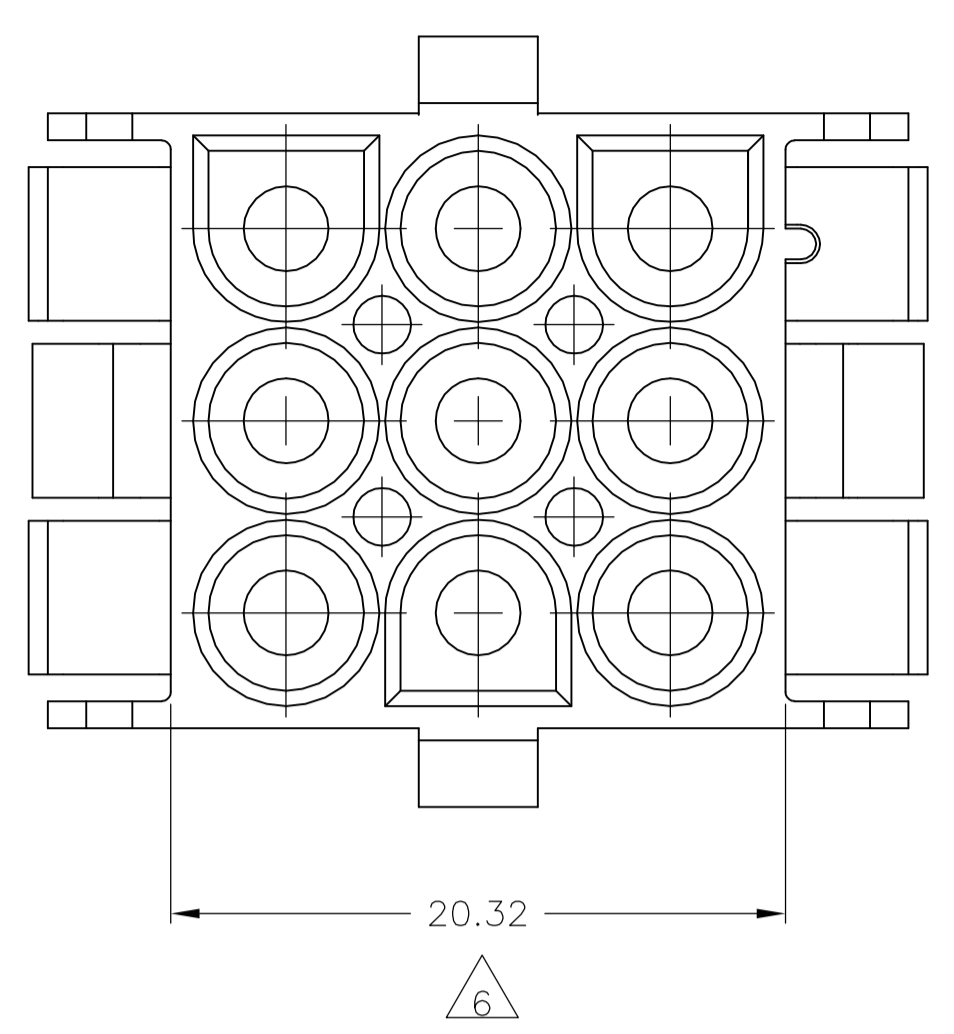
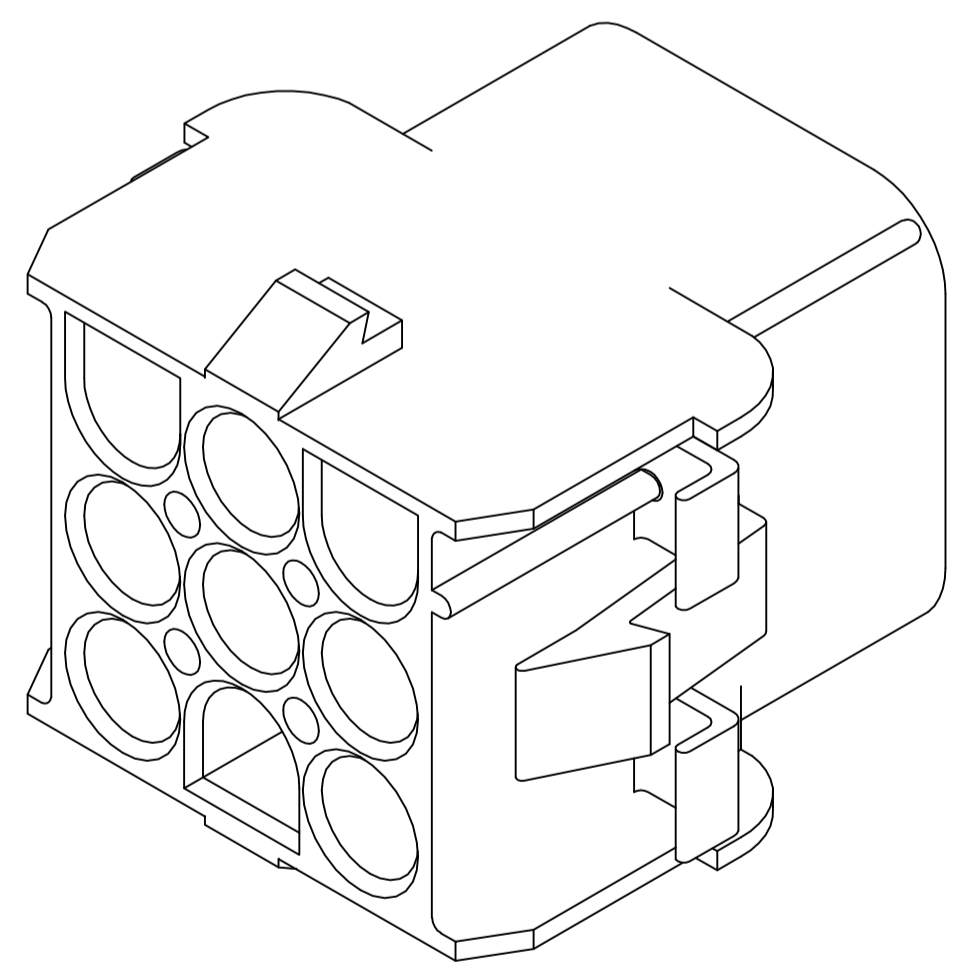
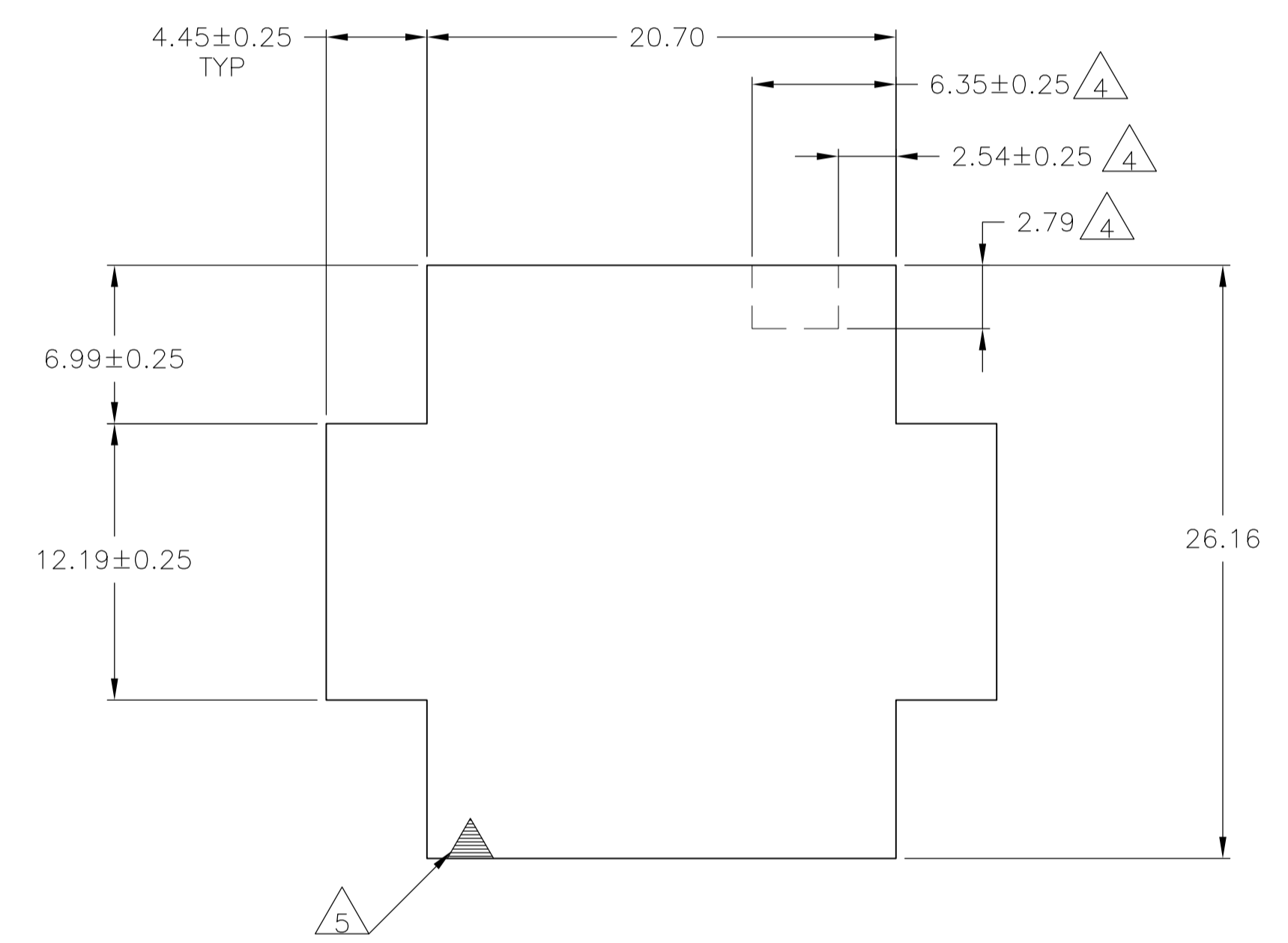
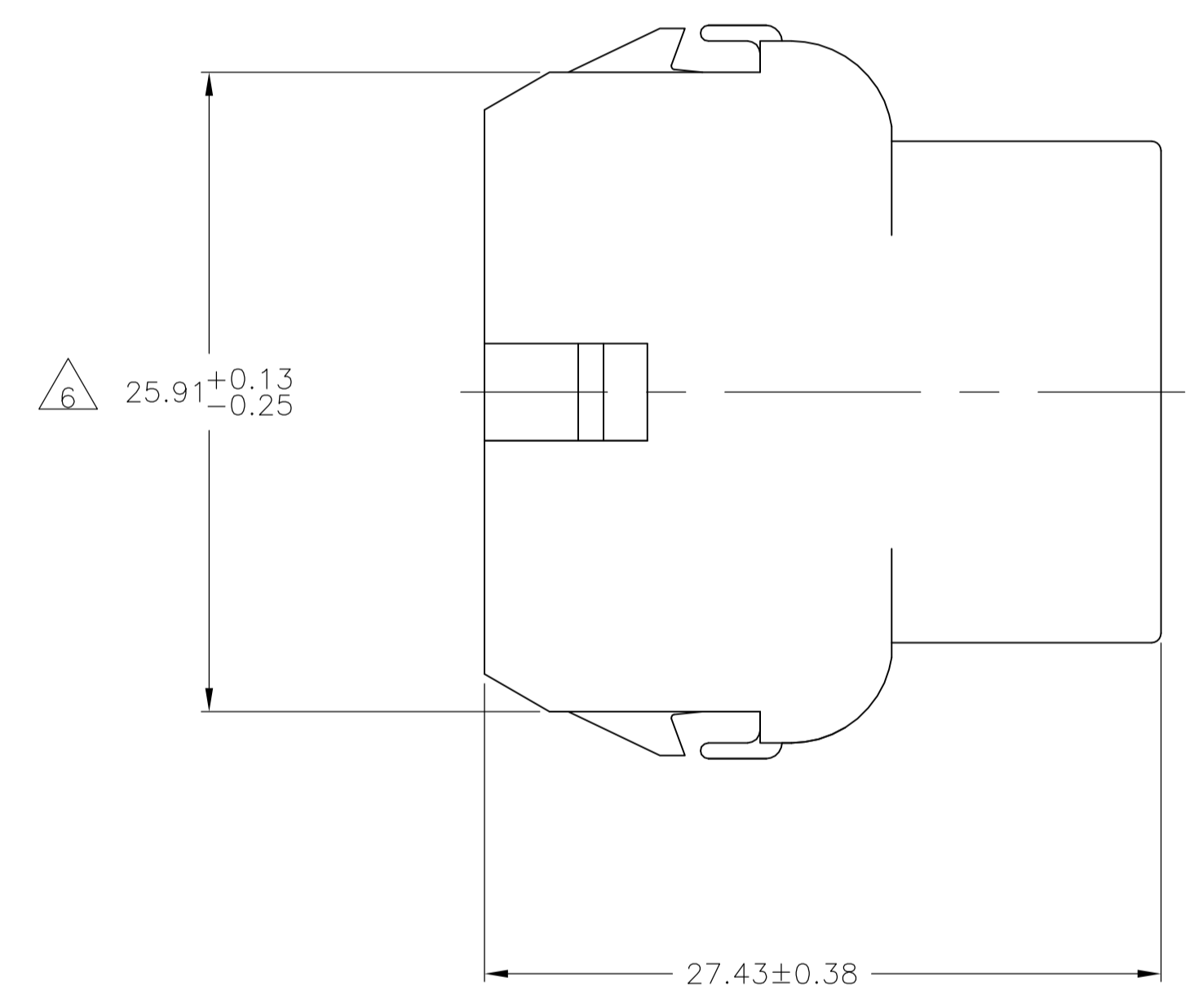
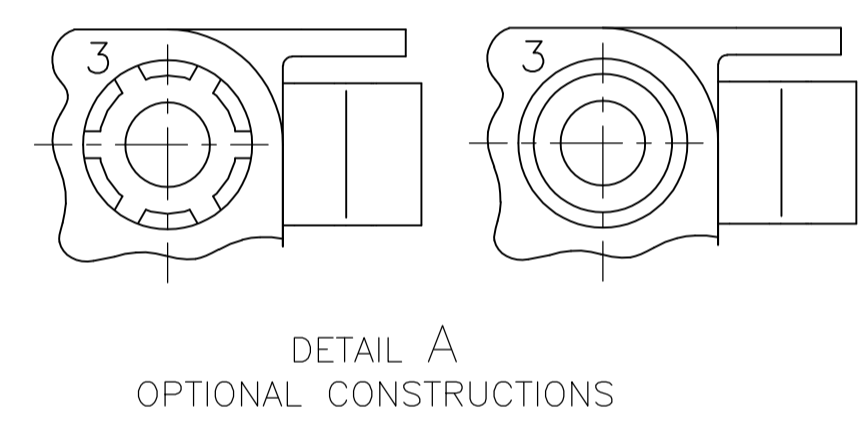


LOC	DIST	REVISIONS				
CM	00	REV	DESCRIPTION	DATE	BY	APPV
		AK2	REVISED PER ECO-11-004587	11MAR11	RK	HMR
		AL	REVISED PER ECR-14-016405	07APR2015	AV	DZ



1. MATES WITH APPROPRIATE UNIVERSAL MATE-N-LOK™ PLUG.
2. RECOMMENDED PANEL THICKNESS 0.76 - 2.29.
3. PANEL MUST BE PUNCHED SO THAT THE HOUSING ENTERS THE PANEL IN THE SAME DIRECTION AS THE PUNCH.
4. OPTIONAL FOR KEYING HOUSING IN PANEL.
5. CIRCUIT NUMBER 1 LOCATION.
6. DIMENSION REPRESENTS POTENTIAL MAXIMUM GROWTH DUE TO MOISTURE ABSORPTION.
7. FOUR RIBS EQUALLY SPACED, NO SPECIFIC ORIENTATION. NO RIBS OR SIX RIBS EQUALLY SPACED, NO SPECIFIC ORIENTATION, OPTIONAL.
8. UNDERWRITERS RECOGNIZED COMPONENT LOGO AND CSA CERTIFICATION LOGO TO BE LOCATED ONCE EACH ON SIDE OF HOUSING.
9. OBSOLETE PARTS: OBSOLETE CIS STREAMLINING PER D.RENAUD/D.SINISI



3-DIMENSIONAL MODEL NTS

MM	IN	MM	IN
6.35	.250	-	-
4.45	.175	27.43	1.080
2.79	.110	26.43	1.041
2.54	.100	25.91	1.020
2.29	.090	20.70	.815
0.76	.030	20.32	.800
0.38	.015	12.19	.480
0.25	.010	8.13	.320
0.13	.005	6.99	.275
MM	IN	MM	IN

CONVERSION TABLE

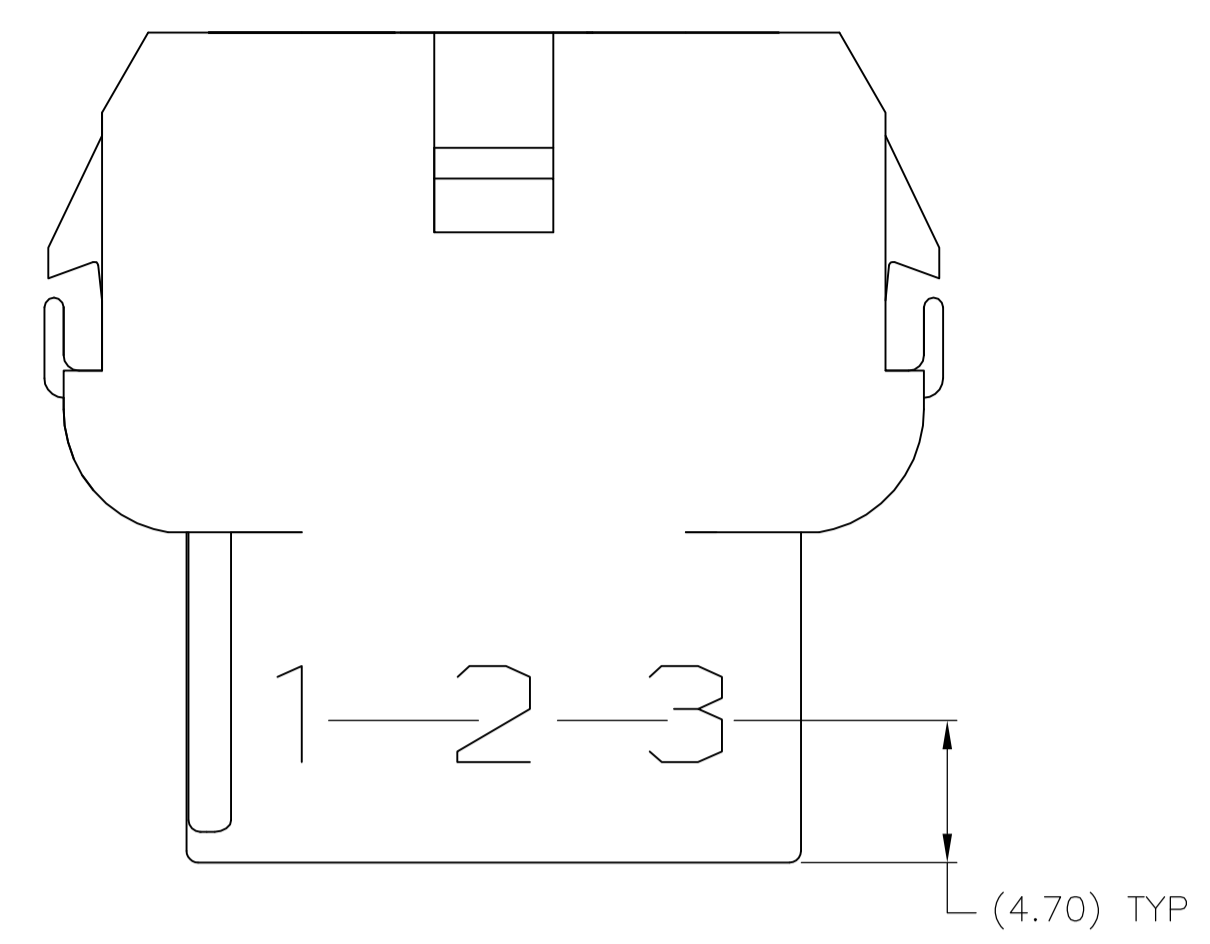
Color	Part No
BLACK	1-480707-9
GRAY	1-480707-8
BLUE	1-480707-6
GREEN	1-480707-5
YELLOW	1-480707-4
ORANGE	1-480707-3
RED	1-480707-2
BROWN	1-480707-1
NATURAL	1-480707-0
COLOR	PART NO

9 OBSOLETE
9 SUPERSEDED BY 1-480707-0
9 OBSOLETE

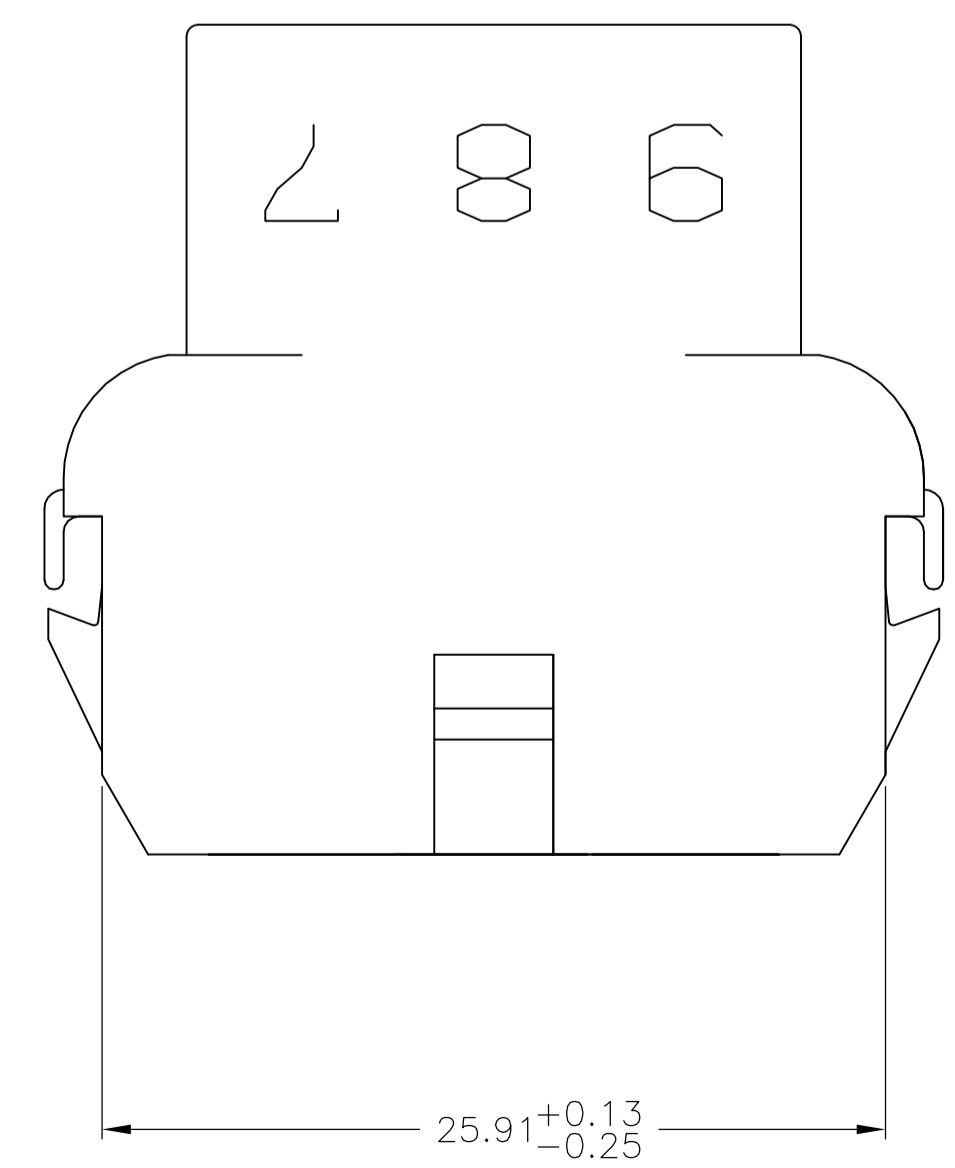
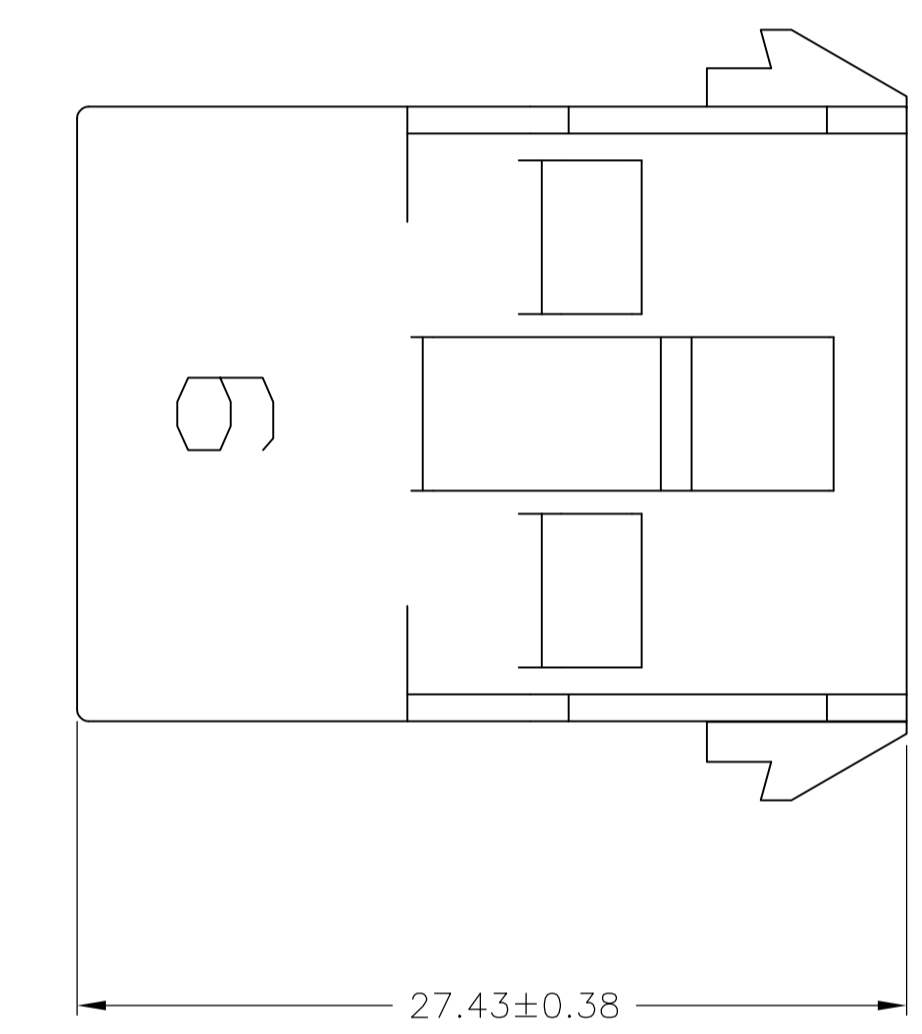
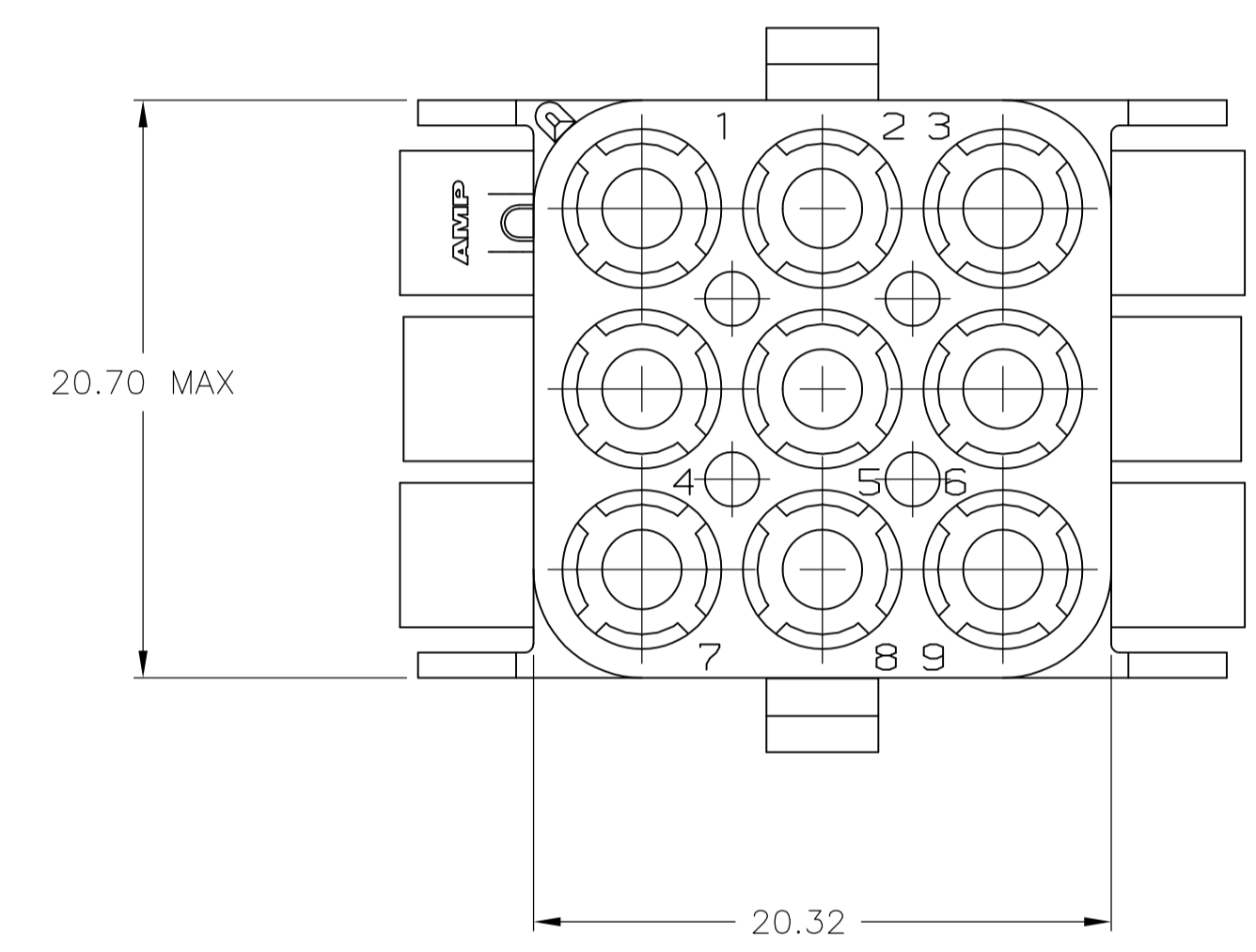
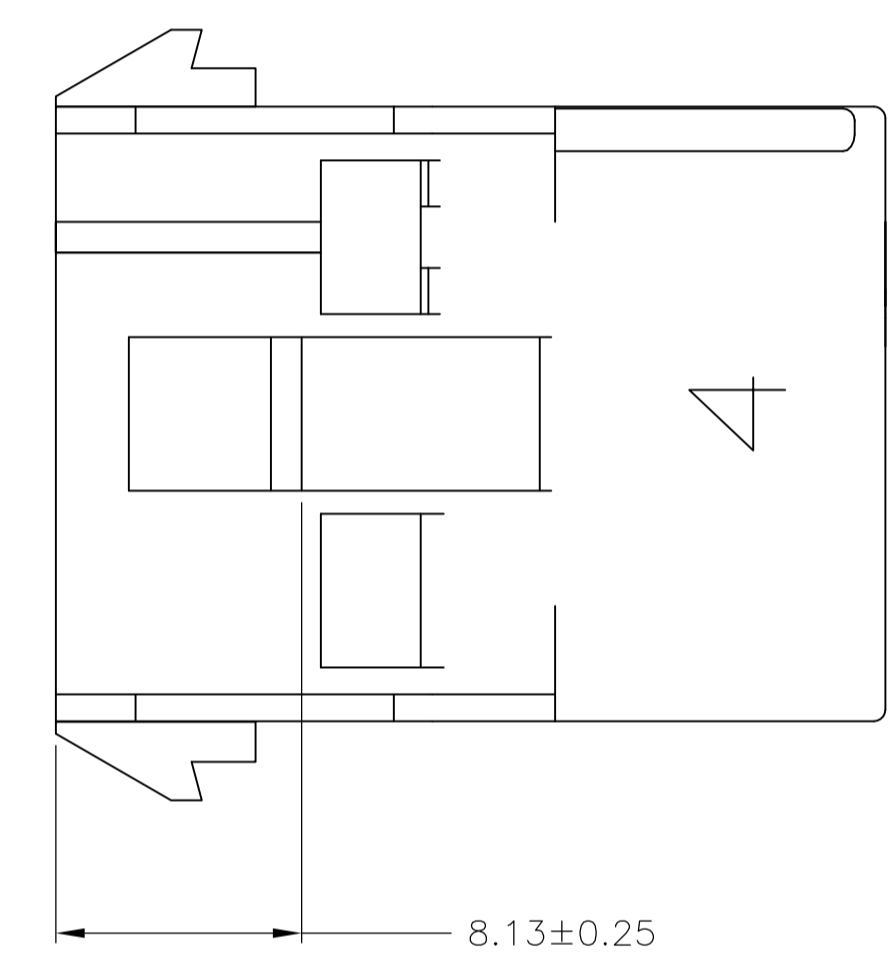
METRIC

THIS DRAWING IS A CONTROLLED DOCUMENT.

DIMENSIONS: mm	TOLERANCES UNLESS OTHERWISE SPECIFIED:	DIN K. WHITAKER 29JUL04	NAME
0. PLC ± -	1. PLC ± -	CHK S. RIDGILL 29JUL04	STE TE Connectivity
2. PLC ± 0.13	3. PLC ± -	APPV S. RIDGILL 29JUL04	CAP. 9 CIRCUIT, UNIVERSAL MATE-N-LOK(TM)
4. PLC ± -	ANGLES ± 0.30°	PRODUCT SPEC	SIZE CASE CODE DRAWING NO
MATERIAL NYLON, UL94V-2	FINISH -	APPLICATION SPEC	A1 00779 480707
		WEIGHT -	RESTRICTED TO
		CUSTOMER DRAWING	SCALE 4:1 SHEET 1 OF 2 REV AL

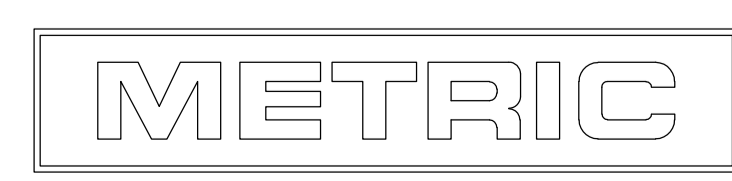


1. STAMP NUMBERS 3.18 HIGH AT WIRE END OF HOUSING (12 POINT DAVID TYPE); CLARIFICATION MARKS UNDER THE 6 & 9.
2. CHARACTERS TO BE STAMPED ON HOUSING IN A MANNER AS TO BE READ FROM WIRE END ONLY.
3. VIOLET, BLACK, BROWN, AND BLUE COLORED BLOCKS TO BE STAMPED WITH WHITE CHARACTERS. ALL OTHER COLORED BLOCKS TO BE STAMPED WITH BLACK CHARACTERS.



5.08	.200	-	-
4.70	.185	27.43	1.080
3.18	.125	25.91	1.020
0.38	.015	20.70	.815
0.25	.010	20.32	.800
0.13	.005	8.13	.320
MM	IN	MM	IN

CONVERSION TABLE



THIS DRAWING IS A CONTROLLED DOCUMENT.		DWG: K. WHITAKER 29JUL04	NATURAL 2-480707-0	
		CHK: S. RIDGILL 29JUL04	COLOR PART NO	
		APPV: S. RIDGILL 29JUL04	TE Connectivity CAP. 9 CIRCUIT, UNIVERSAL MATE-N-LOK(TM)	
		NAME: S. RIDGILL		
DIMENSIONS: mm		TOLERANCES UNLESS OTHERWISE SPECIFIED:	PRODUCT SPEC	RESTRICTED TO
		0. PLC ± -	APPLICATION SPEC	SIZE: A1
		1. PLC ± -	WEIGHT: -	CAGE CODE: 00779
		2. PLC ± 0.13	DRAWING NO: 480707	
		3. PLC ± -	CUSTOMER DRAWING	
		4. PLC ± -	SCALE: 4:1	
		ANGLES ± 0°30'	SHEET 2 OF 2	
MATERIAL: NYLON, UL94V-2		FINISH: -	REV: AL	